

Single Jet Water Meter

- Suitable for cold (30°C) or hot (90°C) water
- MID R80 as per 2004/22/EC
- WRAS Approved (cold version)
- Dial can be rotated by 360° for easy reading
- Super dry, sealed register
- Available with pulse output, 1 pulse = 10 litre
- Suitable up to 16 Bar working pressure
- Suitable for horizontal or vertical installation

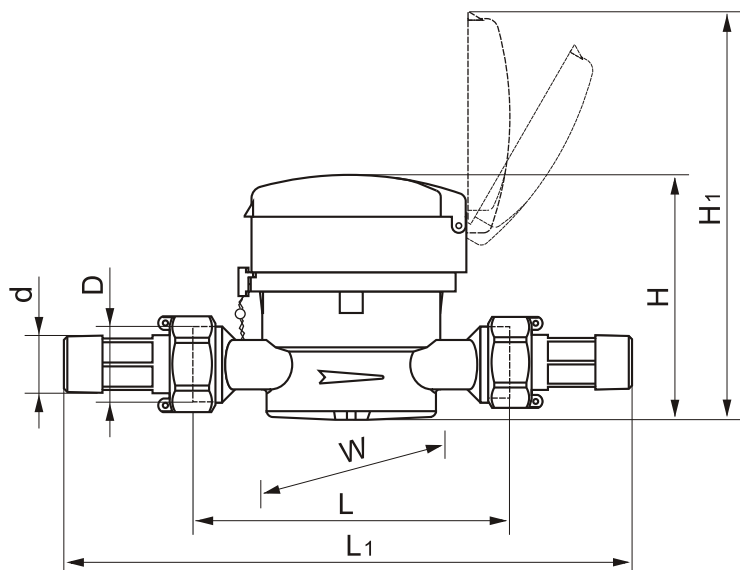


Technical Data

Dimensions

Diameter		DN	15	20
Body Thread		D	G3/4B	G1B
Connector Thread		d	R1/2	R3/4
Body Length	mm	L	110	130
Overall Length	mm	L1	204	234
Width	mm	W	80	80
Height	mm	H	88	88
Working Height	mm	H1	143	143
Weight	kg		0.6	0.98

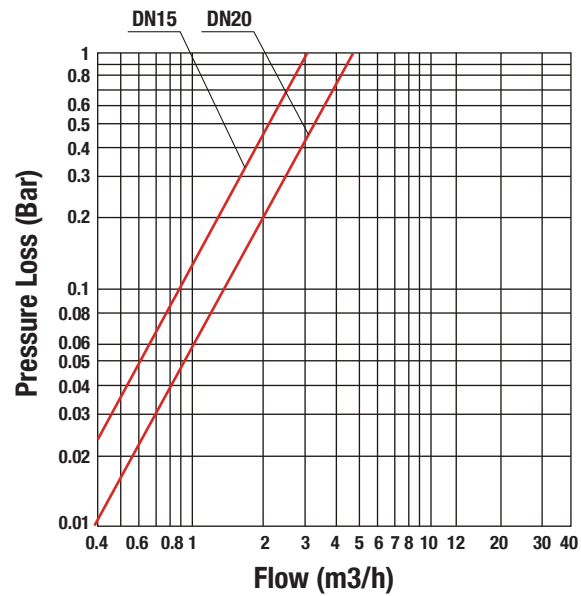
Dimensional Drawing



Flow Data

Diameter	DN	15	20
Minimum Flowrate Q_1	m3/h	0.0313	0.05
Transitional Flowrate Q_2	m3/h	0.05	0.08
Permanent Flowrate Q_3	m3/h	2.5	4.0
Overload Flowrate Q_4	m3/h	3.13	5.0

Pressure Loss Diagram



Accuracy Curve

