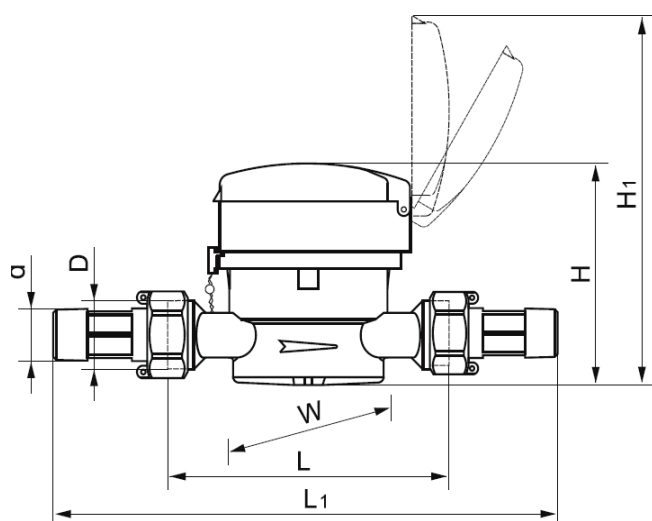


Single Jet Plus +

- Single Jet Water Meter
- Antimagnetic Protection
- MID Approved, MI-001 R160, Accuracy Class 2
- Pressure Rated to 16 Bar (PN16)
- Pulse Value = 10L/Pulse
- 360° Rotating Register
- Internal Strainer



| Part Number | Size (mm) | Nominal Flow Q3 | Min Flow Q1 | Max Flow Q4 | Body Length (mm) |
|-------------|-----------|-------------------------|--------------------------|-------------------------|------------------|
| S15SJC PLUS | 15 | 2.5 m ³ /hr | 0.015 m ³ /hr | 3.13 m ³ /hr | 110 |
| S20SJC PLUS | 20 | 4.0 m ³ /hr | 0.025 m ³ /hr | 5.00 m ³ /hr | 130 |
| S25SJC PLUS | 25 | 6.3 m ³ /hr | 0.039 m ³ /hr | 7.88m ³ /hr | 160 |
| S32SJC PLUS | 32 | 10.0 m ³ /hr | 0.062 m ³ /hr | 12.5m ³ /hr | 160 |
| S40SJC PLUS | 40 | 16.0 m ³ /hr | 0.100 m ³ /hr | 20.0m ³ /hr | 190 |



| Size | L | L 1 | D | d | H | H1 | W |
|------|-----|-----|---------|--------|------|-------|------|
| 15 | 110 | 209 | G3/4B | R1/2 | 84.5 | 145.5 | 81.5 |
| 20 | 130 | 234 | G1B | R3/4 | 84.5 | 145.5 | 81.5 |
| 25 | 160 | 280 | G1 1/4B | R1 | 106 | 167 | 84 |
| 32 | 160 | 284 | G1 1/2B | R1 1/4 | 106 | 167 | 84 |
| 40 | 200 | 331 | G2B | R1 1/2 | 123 | 184 | 110 |

Installation Guidelines

Sizing and Selection:

- Maximum flow is only for use in emergencies, for about 1-2 minutes as it causes the bearings to overheat.
- Minimum flow only refers to the minimum flow required to operate and record on the meter. At these very low flows, the meter will not be accurate.
- All water meters should be sized between transitional flow (the point at which the meter is most accurate) and nominal flow (everyday flow rate).
- The meters are designed only for use with clean water. Sufficient filtration prior to the meter should be considered if the quality of water is compromised.

Installation:

- Under no circumstances whatsoever must the meters remain in situ whilst system flushing takes place.
- Note that there is a direction of flow arrow on the meter and the meter should be installed accordingly.
- It is recommended as good practice to fit a removable filter element before a water meter to protect the mechanism.
- The Single Jet Plus meter can be installed in both the horizontal and vertical position.

Error Curve

