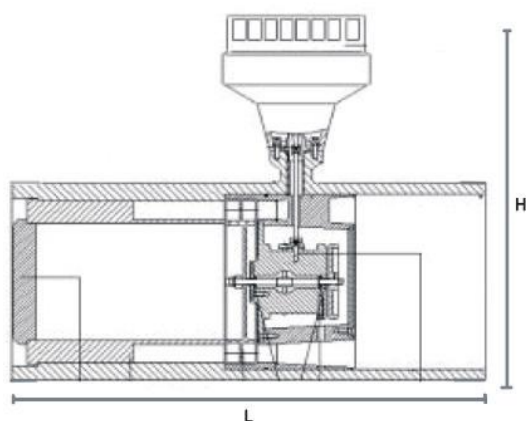


## IGTM Turbine Gas Meter

- Wafer Pattern ‘Sandwich’ Type
- 8 Digit Mechanical Counter
- Lightweight Aluminium Body
- Suitable for Non-Aggressive Gases
- IP65 Protection and Suitable for Zone 1
- Accuracy : +/- 1.5% for  $0.2 Q_{max} < Q < Q_{max}$   
+/- 3% for  $Q_{min} < Q < 0.2 Q_{max}$



	Size (mm)	Min. flow $q_i$ (m <sup>3</sup> /hr)	Max. flow $q_s$ (m <sup>3</sup> /hr)	K-Factor (imp/m <sup>3</sup> )
IGTM DN50 G40/65	50	10	100	10
IGTM DN65 G65/100	65	13	160	10
IGTM DN80 G100/160	80	10	250	1
IGTM DN80 G250	80	20	400	1
IGTM DN100 G160/250	100	13	400	1
IGTM DN100 G400	100	32	650	1
IGTM DN150 G400/650	150	32	1000	1
IGTM DN150 G1000	150	80	1600	1
IGTM DN200 G650/1000	200	50	1600	0.1
IGTM DN200 G1600	200	130	2500	0.1

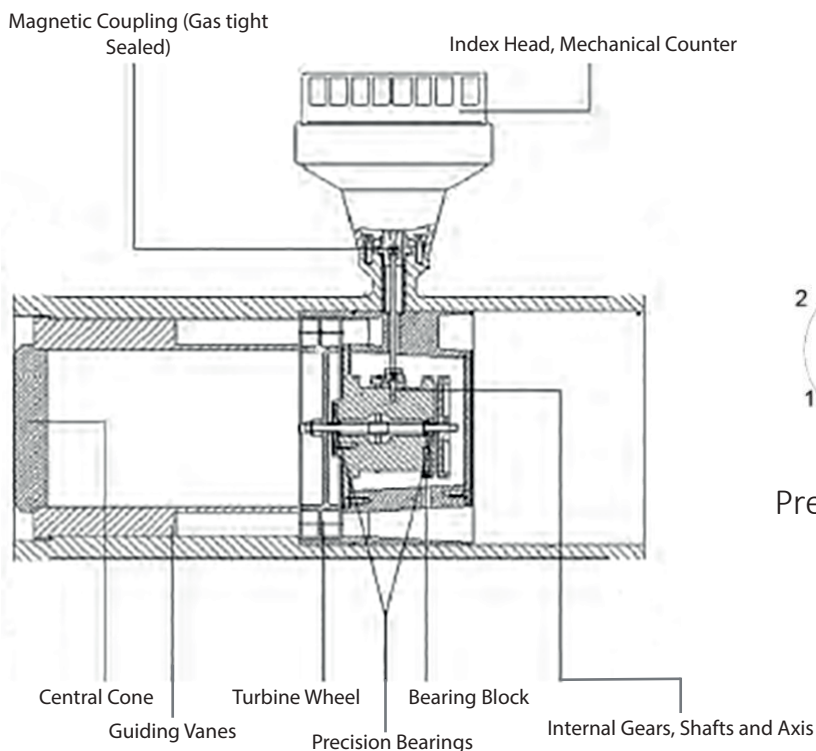


Size (mm)	Length (mm)	Height (mm)	Weight (kg)
50	120	227	3.6
65	120	237	4.7
80	120	266	5.1
100	150	286	6.8
150	180	343	12.8
200	200	397	19.2

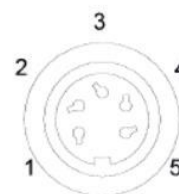
IT IS RECOMMENDED THAT A TOP HAT FILTER IS FITTED TO PROTECT THE METER FROM DUST AND DEBRIS

## Installation Instructions

- The IGTM type gas meter should be installed with a minimum of 2x diameters upstream. However, it is recommended to increase this to 5x pipe diameters for optimal performance. You should allow for at least 1- 3x pipe diameter downstream of the meter. Valves, filters, control valves, reducers, T-pieces, bends and shut off valves in the upstream should be at least 5x pipe diameters from the inlet of the meter.
- All meters up to and including DN100 are suitable for horizontal and vertical installation; larger meters are only suitable for horizontal installation.
- The gas flow must be free from liquids, dust and other particles. It is recommended to install a commissioning filter before the meter. Pulsating gas flow and vibrations must be avoided.
- Sizes up to DN100 are equipped with lifetime lubricated bearings. Sizes from DN150 and above are equipped with an oil pump. Prior to installation, the meter must be lubricated with the oil provided. Lubrication intervals are usually every 3 months.
- The IGTM in its standard design can be used for all non-aggressive gases, such as natural gas, methane, propane, butane, city gas, fabricated gas, air & nitrogen. For aggressive gas such as biogas special designs with Teflon coating, special lubrication or special purging can be ordered to suit.



## Wiring Diagram



- 1 = NAMUR + SIGNAL
- 2 = NAMUR - SIGNAL  
(for HF1, HF2, HF3, HF4)
- 4 = Reed SIGNAL
- 5 = Reed SIGNAL  
(for 1R1, 1R10, 2R1, 2R10)

Pre Wired LF Pulsed Output- Blue and White